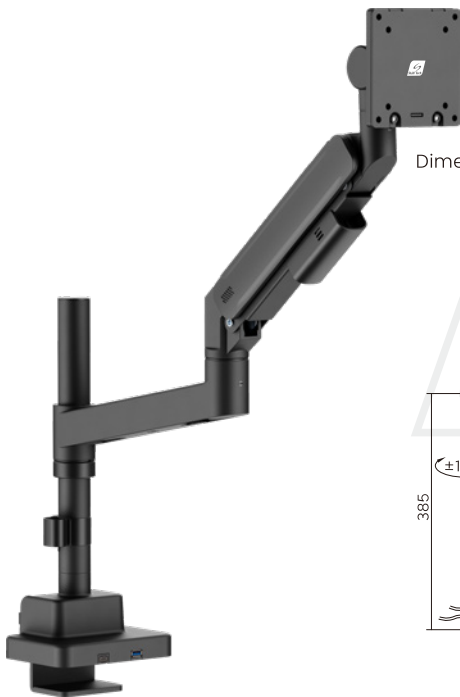


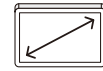
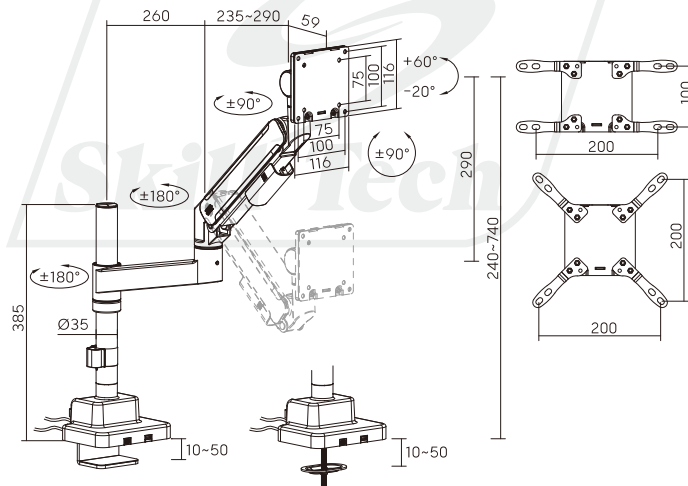
# SH87-C012UCP

## Heavy-Duty Counterbalance Monitor Arm

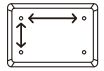
Fits most 24"-57" flat & curved Monitors



Dimensions (mm)



Screen Size  
24"-57"



VESA Compatible  
75x75 100x100 100x200  
200x100 200x200



Weight Capacity  
Flat Screen  
2-27kg/4.4-59.4lbs



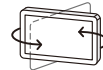
Weight Capacity  
Curved Screen  
2-22kg/4.4-48.4lbs



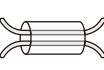
Screen Rotation  
+90°--90°



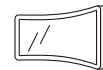
Tilt Range  
+60° -- -20°



Swivel Range  
+90° - -90°



Cable Management



Curved Monitor

### Robust Large Screen Design with USB Access



**Built-In Cable Management**  
for a clean look



**Optional USB Access**  
snap-off plates on the base for data transfer or charging